



MA-GS108 組立説明書

Installation INSTRUCTIONS

WARNING STATEMENTS

Warning

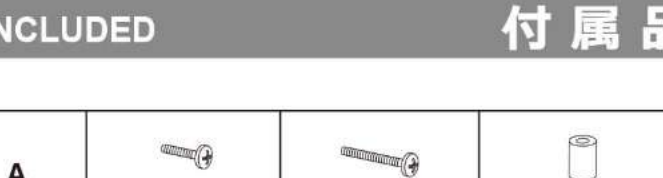
- ⚠️ Prior to the installation of this product, the installation instruction must be read and completely understood. Failure to do so may result in personal injury, property damage or voiding of factory warranty.
- ⚠️ Do not install on a structure that is prone to vibration, movement or chance of impact. Reinforce the structure as required before installation. Don't use the product on particle board.
- ⚠️ The desk clamp can support a maximum thickness of 8.5 cm. Confirm the desk edge before installation.
- ⚠️ Pay attention to the weight capacity of the mount. Exceeding the limitation can result in function unworkable or even serious personal injury and property damage.
- ⚠️ Never operate the mount if parts are missing or damaged. Contact your local service center for warranty service.

PRODUCT LINE GRAPH

可動範囲図



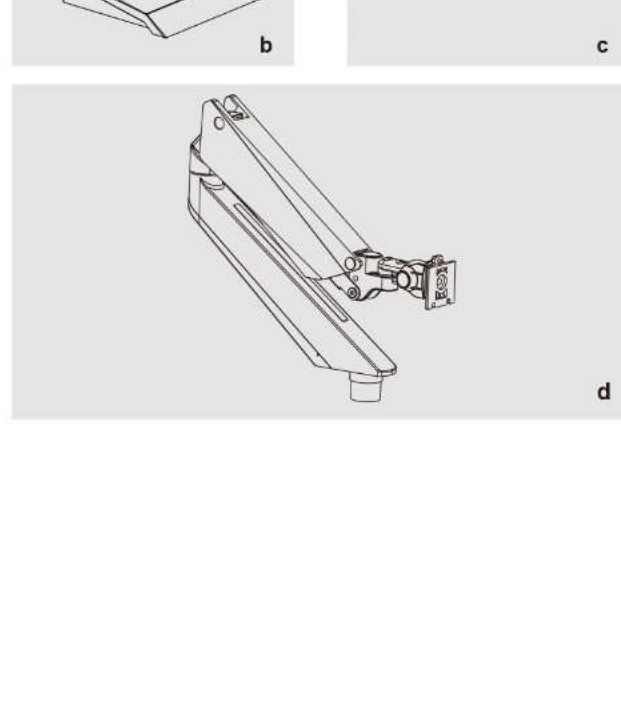
TOOLS REQUIRED NOT INCLUDED



PARTS INCLUDED

付属品

A	M4x12 (x4) Screws	M4x30 (x4) Screws	12X5.8X16 (x4) Spacer
B	S=3mm (x1) Allen key	S=5mm (x1) Allen key	
C	Cable (x1)	M4x10 (x1) Screws	



Desk Clamp Installation クランプ固定方法

1 **薄い天板の場合**
天板 Desk 15-60 mm
Measure the thickness of the table. If 15-60 mm, install directly.

Loosen clamp screw until enough space is left for the edge of the desk. Tighten clamp using clamp screw until mount is securely fastened to desk.

OR 1 **厚い天板の場合**
天板 Desk 60-85 mm
Adjust the Desk Clamp holes if Desktop is thicker than 60 mm.

Loosen clamp screw until enough space is left for the edge of the desk. Tighten clamp using clamp screw until mount is securely fastened to desk.

Arm Installation

2 **アームをクランプ軸に差込み**

Install the arm to the base and fasten the screw in the back.

Monitor Installation

3 **For Flat Screen Monitors**

Flat Screen Monitors installation: Install 4 screws through faceplate to monitor via mounting holes.

OR 3 **For Curved Monitors**

Curved Monitors installation: Put 4 spacers between faceplate and monitor. Install 4 screws through faceplate, spacers to monitor via mounting holes.

4

Insert the monitor along with the VESA plate to the arm and lock it.

Gas Spring Tension Adjustment 保持力の調整

5 **Horizontal 保持力の調整(水平時)**

NOTE: Turn clockwise to reduce tension for lighter monitors and counter-clockwise to increase tension for heavier monitors.

Tilt & Swivel Adjustment モニター角度の調整

6

Use a hex wrench to adjust the damp for swiveling and tilt. Turn counter-clockwise to reduce damping and clockwise to increase damping.

Cable Management Installation ケーブル収納

7

Remove the cable cover from extension arm. Route the cables along the arms and put on the cable cover.

Use Lights

LEDライト用接続ケーブル

8

Use USB cable for LED backlight embellishment.